
GACO SARL

28, Rue Bencharif Madani

25000 BELLEVUE/CONSTANTINE - ALGERIE

Tel. : 031 92 54 56 / 031 93 22 23 - Fax : 031 92 13 45

Email : gacosarl@gmail.com / benkobbi_fares@yahoo.fr

**Type: Hermetic scroll compressors****Producer: Copeland****Series: ZR****Model: ZR380KCE-TWD****Technical data**

Displacement [m ³ /h]:	87,5
Sound power [dBA]:	87
Sound pressure level [dB]:	76
Net Weight [kg]:	176
Gross Weight [kg]:	201
Oil charge [dm ³]:	6,3
Maximum high pressure [bar]:	32
Maximum standstill pressure [bar]:	20
Minimal lowside temperature [°C]:	-35
Maximum lowside temperature [°C]:	52
PED category:	2

Electrical data

Power supply [V/~/Hz]:	380-420/3/50Hz
Locked rotor current [A]:	310
Max. operating current [A]:	62,5
Winding resistance [Ω]:	0,4

Connections

	<u>inches</u>
Suction Rotolock valve connection:	2 1/4" x 12 UN
Discharge Rotolock valve connection:	1 3/4" x 12 UN
Suction connection with supplied sleeve:	1 5/8"
Discharge connection with supplied sleeve:	1 3/8"

GACO SARL

28, Rue Bencharif Madani

25000 BELLEVUE/CONSTANTINE - ALGERIE

Tel. : 031 92 54 56 / 031 93 22 23 - Fax : 031 92 13 45

Email : gacosarl@gmail.com / benkobbi_fares@yahoo.fr



R134a

Cooling capacity [kW]

t_c \ t_e	-15	-10	-5	0	5	10	15
30	29.07	36.61	45.47	55.73	67.48	80.78	95.72
35	27.54	34.80	43.37	53.33	64.76	77.73	92.33
40	25.98	32.91	41.14	50.75	61.82	74.41	88.62
45	24.43	30.98	38.82	48.03	58.69	70.86	84.63
50	-	29.05	36.46	45.22	55.41	67.11	80.40
55	-	-	34.07	42.34	52.02	63.20	75.95
60	-	-	31.71	39.43	48.55	59.16	71.33
65	-	-	-	36.53	45.05	55.04	66.58
70	-	-	-	-	41.54	50.87	61.73

Power input [kW]

t_c \ t_e	-15	-10	-5	0	5	10	15
30	10.60	10.81	10.97	11.08	11.13	11.13	11.08
35	11.75	11.99	12.20	12.37	12.49	12.57	12.60
40	12.99	13.27	13.51	13.73	13.91	14.06	14.17
45	14.37	14.66	14.94	15.19	15.43	15.63	15.81
50	-	16.21	16.51	16.80	17.07	17.32	17.56
55	-	-	18.26	18.57	18.87	19.16	19.45
60	-	-	20.23	20.54	20.87	21.19	21.51
65	-	-	-	22.76	23.09	23.44	23.79
70	-	-	-	-	25.58	25.93	26.31

GACO SARL

28, Rue Bencharif Madani

25000 BELLEVUE/CONSTANTINE - ALGERIE

Tel. : 031 92 54 56 / 031 93 22 23 - Fax : 031 92 13 45

Email : gacosarl@gmail.com / benkobbi_fares@yahoo.fr

**Current [A]**

t_c \ t_e	-15	-10	-5	0	5	10	15
30	26.28	26.50	26.64	26.71	26.70	26.62	26.47
35	27.42	27.68	27.89	28.04	28.14	28.17	28.15
40	28.73	29.03	29.29	29.51	29.70	29.84	29.93
45	30.27	30.59	30.89	31.17	31.43	31.66	31.87
50	-	32.41	32.74	33.07	33.39	33.71	34.01
55	-	-	34.90	35.26	35.63	36.01	36.40
60	-	-	37.41	37.79	38.20	38.64	39.10
65	-	-	-	40.71	41.15	41.63	42.15
70	-	-	-	-	44.53	45.04	45.60

Mass flow [kg/h]

t_c \ t_e	-15	-10	-5	0	5	10	15
30	671.80	829.74	1 010.46	1 214.54	1 442.56	1 695.10	1 972.72
35	669.39	827.72	1 009.85	1 216.35	1 447.80	1 704.78	1 987.85
40	665.65	823.70	1 006.56	1 214.80	1 449.00	1 709.73	1 997.57
45	661.44	818.52	1 001.42	1 210.72	1 446.99	1 710.80	2 002.73
50	-	813.03	995.30	1 204.97	1 442.63	1 708.84	2 004.18
55	-	-	989.02	1 198.39	1 436.75	1 704.68	2 002.74
60	-	-	983.45	1 191.83	1 430.21	1 699.17	1 999.28
65	-	-	-	1 186.12	1 423.85	1 693.16	1 994.64
70	-	-	-	-	1 418.51	1 687.49	1 989.65

GACO SARL

28, Rue Bencharif Madani

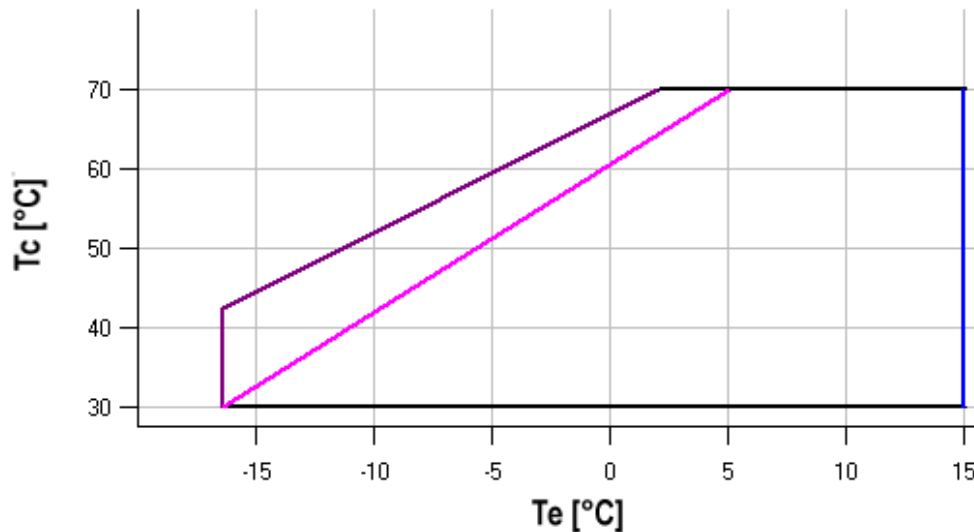
25000 BELLEVUE/CONSTANTINE - ALGERIE

Tel. : 031 92 54 56 / 031 93 22 23 - Fax : 031 92 13 45

Email : gacosarl@gmail.com / benkobbi_fares@yahoo.fr

**C.O.P. [W/W]**

$t_c \setminus t_e$	-15	-10	-5	0	5	10	15
30	2.74	3.39	4.15	5.03	6.06	7.25	8.64
35	2.34	2.90	3.55	4.31	5.18	6.18	7.33
40	2.00	2.48	3.04	3.70	4.44	5.29	6.26
45	1.70	2.11	2.60	3.16	3.80	4.53	5.35
50	-	1.79	2.21	2.69	3.25	3.87	4.58
55	-	-	1.87	2.28	2.76	3.30	3.91
60	-	-	1.57	1.92	2.33	2.79	3.32
65	-	-	-	1.61	1.95	2.35	2.80
70	-	-	-	-	1.62	1.96	2.35

Application range

- Maximum evaporating temperature
- 25°C suction gas temperature
- 10K gas overheat

Operating conditions: 10K suction superheat, 0K subcooling

 t_c - Condensing temperature [°C] t_e - Evaporating temperature [°C]

GACO SARL

28, Rue Bencharif Madani

25000 BELLEVUE/CONSTANTINE - ALGERIE

Tel. : 031 92 54 56 / 031 93 22 23 - Fax : 031 92 13 45

Email : gacosarl@gmail.com / benkobbi_fares@yahoo.fr

**R407C****Cooling capacity [kW]**

t_c \ t_e	-20	-15	-10	-5	0	5	10	15
25	36.75	46.93	58.79	72.82	89.52	109.39	132.92	-
30	34.18	44.25	55.76	69.22	85.11	103.94	126.20	152.39
35	31.30	41.34	52.58	65.54	80.70	98.56	119.63	144.40
40	28.00	38.07	49.13	61.66	76.16	93.15	113.10	136.52
45	-	34.33	45.27	57.46	71.39	87.56	106.48	128.63
50	-	-	40.89	52.81	66.24	81.69	99.64	120.60
55	-	-	-	47.59	60.60	75.40	92.47	112.32
60	-	-	-	-	54.35	68.57	84.83	103.64
65	-	-	-	-	-	61.08	76.61	94.47

Power input [kW]

t_c \ t_e	-20	-15	-10	-5	0	5	10	15
25	12.90	13.09	13.31	13.61	14.04	14.64	15.48	-
30	14.56	14.76	14.95	15.18	15.51	15.98	16.64	17.54
35	16.34	16.56	16.75	16.94	17.19	17.55	18.06	18.78
40	18.28	18.55	18.75	18.93	19.13	19.39	19.78	20.34
45	-	20.76	21.00	21.18	21.35	21.55	21.84	22.26
50	-	-	23.53	23.73	23.89	24.05	24.26	24.57
55	-	-	-	26.63	26.80	26.94	27.09	27.31
60	-	-	-	-	30.11	30.25	30.37	30.52
65	-	-	-	-	-	34.01	34.13	34.23

Current [A]

t_c \ t_e	-20	-15	-10	-5	0	5	10	15
25	27.33	27.53	27.79	28.15	28.65	29.35	30.29	-
30	29.28	29.50	29.73	30.03	30.43	30.99	31.75	32.76
35	31.47	31.72	31.95	32.21	32.54	32.98	33.59	34.41
40	33.96	34.28	34.53	34.77	35.04	35.40	35.87	36.52
45	-	37.24	37.54	37.78	38.02	38.30	38.67	39.17
50	-	-	41.03	41.30	41.53	41.77	42.05	42.42
55	-	-	-	45.41	45.65	45.86	46.08	46.35
60	-	-	-	-	50.45	50.65	50.83	51.02
65	-	-	-	-	-	56.21	56.37	56.51

Mass flow [kg/h]

t_c \ t_e	-20	-15	-10	-5	0	5	10	15
25	735.12	929.73	1 148.61	1 401.20	1 696.95	2 045.28	2 455.65	-
30	718.11	917.39	1 138.10	1 389.68	1 681.57	2 023.22	2 424.05	2 893.50
35	692.14	898.69	1 123.82	1 376.98	1 667.61	2 005.14	2 399.02	2 858.69
40	653.64	870.03	1 102.17	1 359.50	1 651.45	1 987.47	2 376.99	2 829.45
45	-	827.84	1 069.58	1 333.66	1 629.53	1 966.62	2 354.36	2 802.21
50	-	-	1 022.45	1 295.88	1 598.25	1 938.99	2 327.56	2 773.38
55	-	-	-	1 242.56	1 554.02	1 901.01	2 292.98	2 739.37
60	-	-	-	-	1 493.26	1 849.09	2 247.05	2 696.59
65	-	-	-	-	-	1 779.63	2 186.18	2 641.45

GACO SARL

28, Rue Bencharif Madani

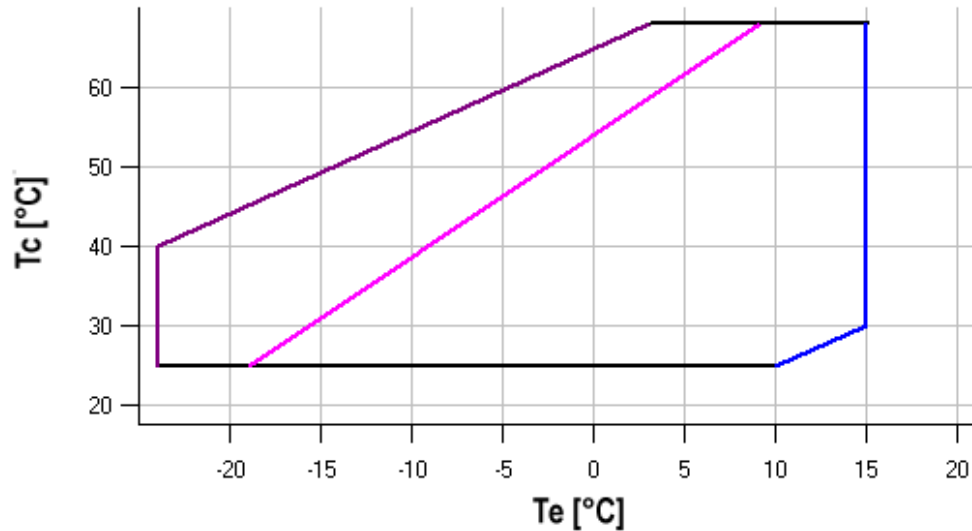
25000 BELLEVUE/CONSTANTINE - ALGERIE

Tel. : 031 92 54 56 / 031 93 22 23 - Fax : 031 92 13 45

Email : gacosarl@gmail.com / benkobbi_fares@yahoo.fr

**C.O.P. [W/W]**

$t_c \setminus t_e$	-20	-15	-10	-5	0	5	10	15
25	2.85	3.58	4.42	5.35	6.38	7.47	8.59	-
30	2.35	3.00	3.73	4.56	5.49	6.50	7.58	8.69
35	1.92	2.50	3.14	3.87	4.69	5.62	6.62	7.69
40	1.53	2.05	2.62	3.26	3.98	4.80	5.72	6.71
45	-	1.65	2.16	2.71	3.34	4.06	4.88	5.78
50	-	-	1.74	2.22	2.77	3.40	4.11	4.91
55	-	-	-	1.79	2.26	2.80	3.41	4.11
60	-	-	-	-	1.81	2.27	2.79	3.40
65	-	-	-	-	-	1.80	2.25	2.76

Application range

- Maximum evaporating temperature
- 25°C suction gas temperature
- 10K gas overheat

Operating conditions: 10K suction superheat, 0K subcooling

 t_c - Condensing temperature [°C] t_e - Evaporating temperature [°C]

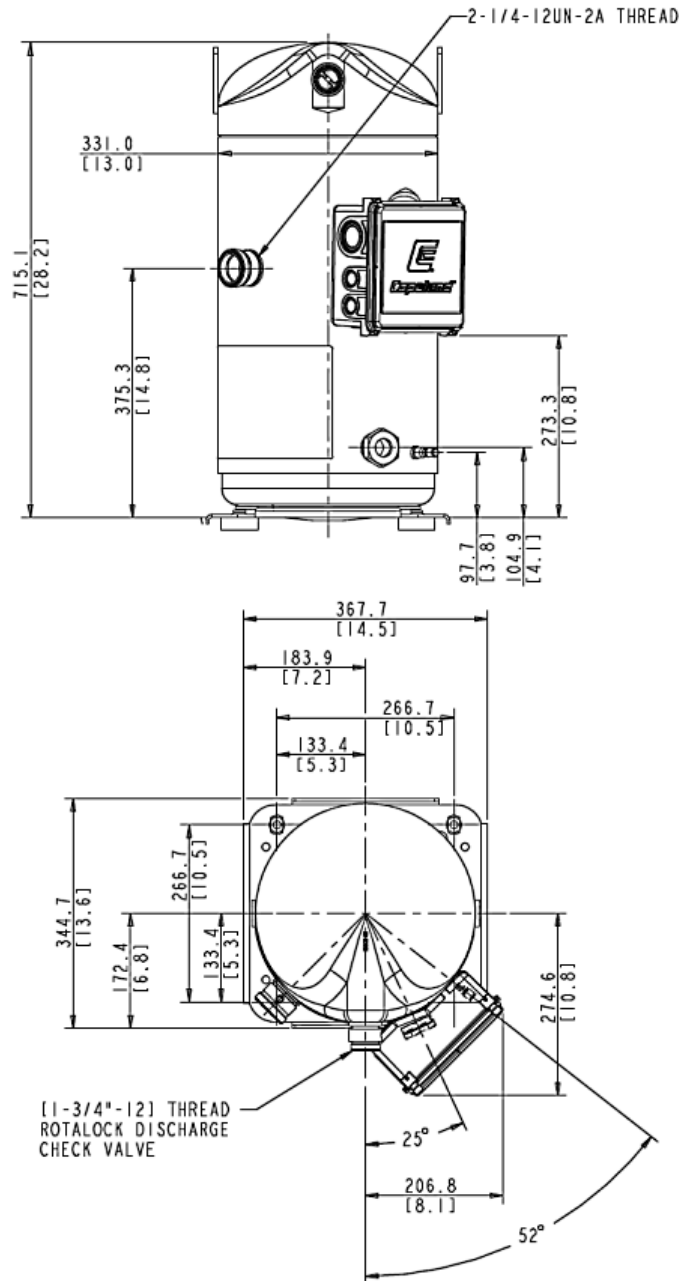
GACO SARL

28, Rue Bencharif Madani

25000 BELLEVUE/CONSTANTINE - ALGERIE

Tel. : 031 92 54 56 / 031 93 22 23 - Fax : 031 92 13 45

Email : gacosarl@gmail.com / benkobbi_fares@yahoo.fr



GACO SARL

28, Rue Bencharif Madani

25000 BELLEVUE/CONSTANTINE - ALGERIE

Tel. : 031 92 54 56 / 031 93 22 23 - Fax : 031 92 13 45

Email : gacosarl@gmail.com / benkobbi_fares@yahoo.fr

