

**Model: SM185****Data****Type: Hermetic scroll compressors****Producer: Maneurop****Series: SM****Model: SM185****Technical data**

Displacement [m <sup>3</sup> /h]:	43,5
:	249,9
RPM [min <sup>-1</sup> ]:	2900
Weight [kg]:	100
Oil charge [dm <sup>3</sup> ]:	6,2
Oil type:	160P
Maximum system test pressure low side / high side:	25 / 32
Maximum number of starts without softstart [1/h]:	12
Refrigerant charge limit [dm <sup>3</sup> ]:	13,5
Refrigerant:	R22

**Connections**

	<u>inches</u>
Suction Rotolock valve connection:	2 1/4"
Discharge Rotolock valve connection:	1 3/4"
Suction connection with supplied sleeve:	1 5/8"
Discharge connection with supplied sleeve:	1 1/8"

**Approvals**

CCC	-
CE	+
UL	+

R22

**Model: SM185**

Capacity

**Cooling capacity [W]**

$t_c \setminus t_e$	-20	-15	-10	-5	0	5	10	15
30	19 439	24 255	29 878	36 380	43 832	52 306	61 875	72 610
35	18 400	23 118	28 611	34 951	42 209	50 458	59 770	70 215
40	17 337	21 936	27 278	33 434	40 478	48 480	57 512	67 647
45	-	20 708	25 877	31 829	38 637	46 371	55 103	64 906
50	-	-	24 409	30 136	36 686	44 131	52 542	61 992
55	-	-	-	28 354	34 625	41 760	49 828	58 904
60	-	-	-	-	32 455	39 257	46 962	55 642
65	-	-	-	-	30 174	36 623	43 943	52 207

**Power input [W]**

$t_c \setminus t_e$	-20	-15	-10	-5	0	5	10	15
30	7 964	8 050	8 133	8 212	8 284	8 347	8 399	8 437
35	8 819	8 906	8 991	9 071	9 145	9 211	9 265	9 306
40	9 773	9 861	9 947	10 030	10 106	10 174	10 231	10 275
45	-	10 925	11 013	11 097	11 176	11 247	11 307	11 354
50	-	-	12 196	12 283	12 364	12 438	12 501	12 553
55	-	-	-	13 596	13 680	13 757	13 824	13 879
60	-	-	-	-	15 132	15 212	15 283	15 342
65	-	-	-	-	16 731	16 814	16 889	16 953

**Current [A]**

$t_c \setminus t_e$	-20	-15	-10	-5	0	5	10	15
30	17.62	17.72	17.80	17.88	17.93	17.97	17.99	17.98
35	18.55	18.65	18.74	18.82	18.88	18.93	18.95	18.95
40	19.61	19.72	19.82	19.90	19.97	20.03	20.06	20.08
45	-	20.94	21.05	21.14	21.22	21.29	21.33	21.36
50	-	-	22.45	22.55	22.64	22.72	22.78	22.82
55	-	-	-	24.14	24.25	24.34	24.42	24.48
60	-	-	-	-	26.06	26.17	26.26	26.34
65	-	-	-	-	28.09	28.21	28.32	28.42

**GACO SARL**

28, Rue Bencharif Madani

25000 BELLEVUE/CONSTANTINE - ALGERIE

Tel. : 031 92 54 56 / 031 93 22 23 - Fax : 031 92 13 45

Email : gacosarl@gmail.com / benkobbi\_fares@yahoo.fr

**Model: SM185**

Capacity

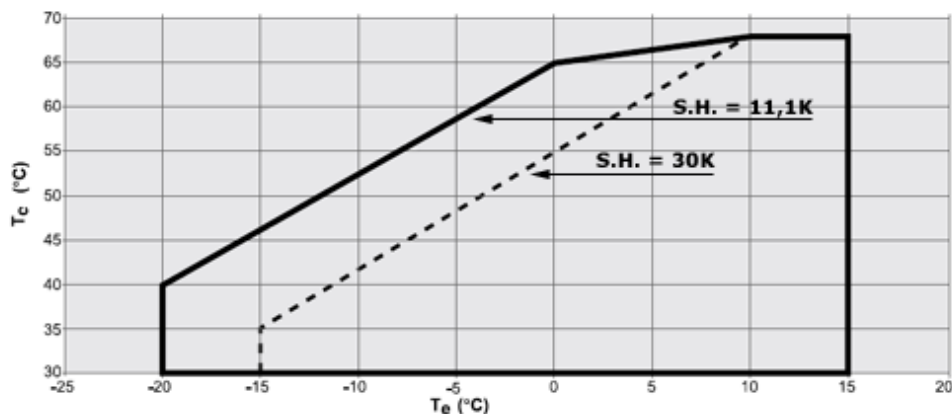
**Mass flow [kg/s]**

$t_c \setminus t_e$	-20	-15	-10	-5	0	5	10	15
<b>30</b>	392.44	483.80	588.54	707.88	842.99	995.07	1 165.32	1 354.92
<b>35</b>	384.64	477.30	583.27	703.76	839.95	993.04	1 164.22	1 354.69
<b>40</b>	376.31	469.93	576.79	698.10	835.04	988.80	1 160.58	1 351.58
<b>45</b>	-	461.45	568.87	690.66	828.01	982.11	1 154.16	1 345.34
<b>50</b>	-	-	559.25	681.19	818.61	972.72	1 144.69	1 335.73
<b>55</b>	-	-	-	669.44	806.61	960.38	1 131.95	1 322.51
<b>60</b>	-	-	-	-	791.75	944.86	1 115.68	1 305.43
<b>65</b>	-	-	-	-	773.80	925.90	1 095.65	1 284.25

**C.O.P. [W/W]**

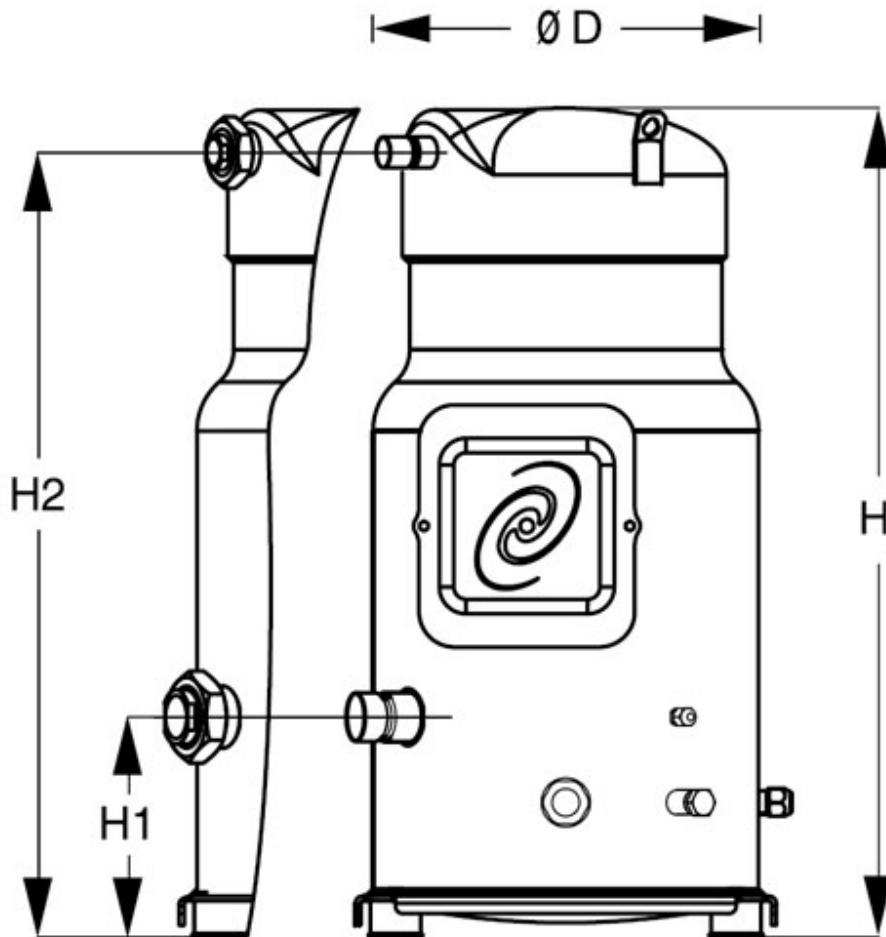
$t_c \setminus t_e$	-20	-15	-10	-5	0	5	10	15
<b>30</b>	2.44	3.01	3.67	4.43	5.29	6.27	7.37	8.61
<b>35</b>	2.09	2.60	3.18	3.85	4.62	5.48	6.45	7.55
<b>40</b>	1.77	2.22	2.74	3.33	4.01	4.77	5.62	6.58
<b>45</b>	-	1.90	2.35	2.87	3.46	4.12	4.87	5.72
<b>50</b>	-	-	2.00	2.45	2.97	3.55	4.20	4.94
<b>55</b>	-	-	-	2.09	2.53	3.04	3.60	4.24
<b>60</b>	-	-	-	-	2.14	2.58	3.07	3.63
<b>65</b>	-	-	-	-	1.80	2.18	2.60	3.08

Operating conditions: suction superheat: 11.1 K, subcooling: 8.3 K

 $t_c$  - Condensing temperature [°C] $t_e$  - Evaporating temperature [°C]**Application range**

## Model: SM185

### Dimensions



D	316 mm
H	678 mm
H1	180 mm
H2	641 mm

---

**GACO SARL**

28, Rue Bencharif Madani

25000 BELLEVUE/CONSTANTINE - ALGERIE

Tel. : 031 92 54 56 / 031 93 22 23 - Fax : 031 92 13 45

Email : gacosarl@gmail.com / benkobbi\_fares@yahoo.fr

---



**Model: SM185**

**Image**



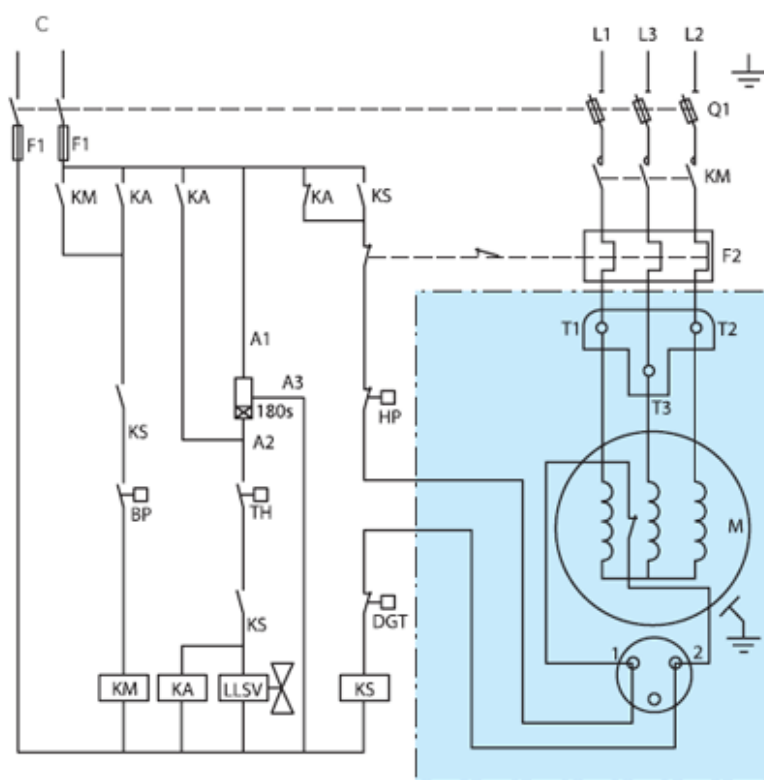
## Model: SM185

### Electrical

### Electrical data

Starting current [A]:	175
Maximum Continuous Current (MCC) [A]:	-
Winding resistance (between phases) [ $\Omega$ ]:	0,77

### Connection diagram for systems with refrigerant suction

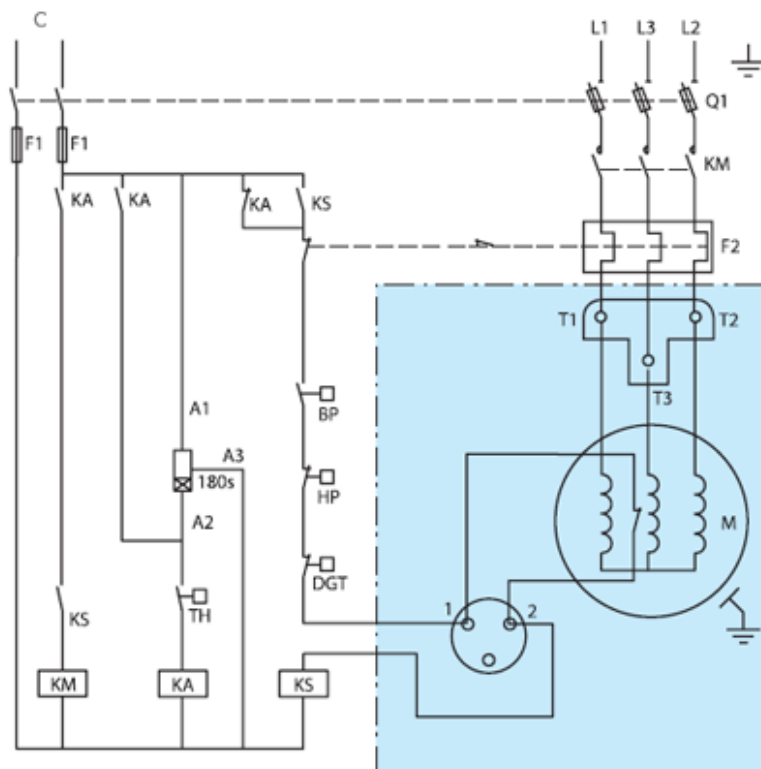


- TH: Thermostat
- 180 s: ATI electronic timer
- KA: Control transmitter CI 4-2
- LLSV: Electromagnetic liquid valve
- KM: Main contactor CI
- KS: Fuses' switch
- BP: Low pressure switch
- HP: High pressure switch
- Q1: Safety switch
- F1: Fuses
- F2: Thermal relay TI
- M: Compressor's engine
- DGT: Discharge gas thermostat

## Model: SM185

Electrical

### Connection diagram for systems without refrigerant suction



TH: Thermostat

180 s: ATI electronic timer

KA: Control transmitter CI 4-2

KM: Main contactor CI

KS: Fuses' switch

BP: Low pressure switch

HP: High pressure switch

Q1: Safety switch

F1: Fuses

F2: Thermal relay TI

M: Compressor's engine

DGT: Discharge gas thermostat

---

**GACO SARL**

28, Rue Bencharif Madani

25000 BELLEVUE/CONSTANTINE - ALGERIE

Tel. : 031 92 54 56 / 031 93 22 23 - Fax : 031 92 13 45

Email : [gacosarl@gmail.com](mailto:gacosarl@gmail.com) / [benkobbi\\_fares@yahoo.fr](mailto:benkobbi_fares@yahoo.fr)

---



**Model: SM185**

**Equipment**

**Equipment**

- ▶ oil equalization - thread adapter 3/8"
- ▶ belt type heater - crankcase heater 75W, 230V
- ▶ soft-start kit - electronic softstart MCI 25C
- ▶ accoustic hood - acoustic shield of Danfoss catalogue number 7755007
- ▶ discharge thermostatic protection - discharge temperature protection accessory - Danfoss catalogue number 7750009